



SWATHI ENGINEERS

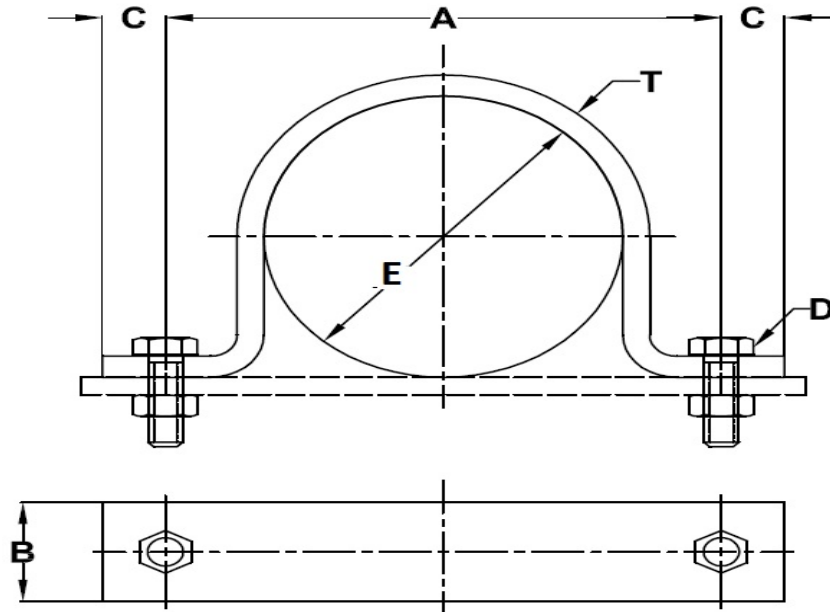
swathiengineers.nsk@gmail.com

www.swathiengineers.com

U-Clamp

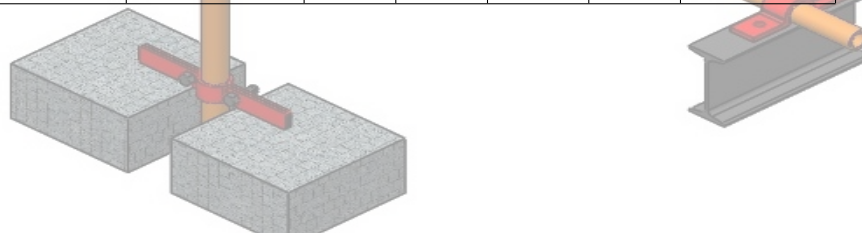
Material: Carbon Steel **Finish:** Painted

Max Temp: 650° F or 343° C



DIMENSIONAL CHART

Pipe Size inches	Pipe Size mm	E mm	A mm	BxT mm	C mm	D mm
2	50	64	128	40x6	18	M16x75
3	80	93	156	40x6	18	M16x75
4	100	118	177	40x6	18	M16x75
6	150	172	251	80x8	24	M20x100
8	200	222	299	80x8	24	M20x100
10	250	277	364	80x8	30	M20x100
12	300	328	420	80x8	30	M20x100
14	350	361	471	80x8	30	M20x100
16	400	410	513	80x8	30	M20x100
18	450	461	568	80x8	30	M20x100



Specifications subject to change without notice. Contact us for updated specifications.

◇swathiengineers.nsk@gmail.com ◇ www.swathiengineers.com ◇91-721 828 4687