



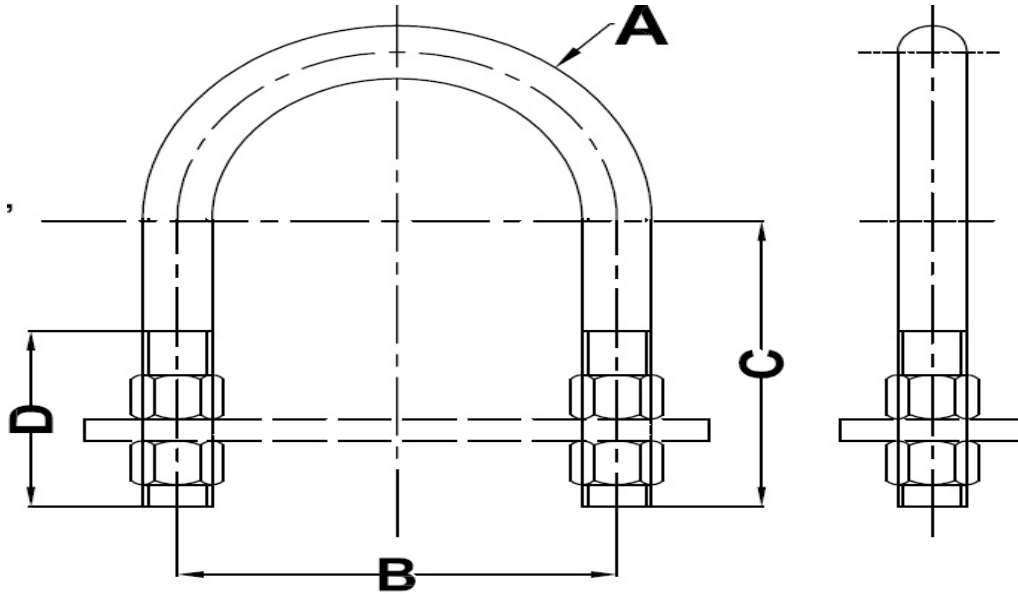
# SWATHI ENGINEERS

swathiengineers.nsk@gmail.com

www.swathiengineers.com

## U-Bolt

**Material:** Carbon Steel      **Finish:** Electrogalvanized, Above 4" Painted  
**Max Temp:** 650° F or 343° C



**DIMENSIONAL CHART**

| Pipe Size inches | Pipe Size mm | Max Load Kg | A mm | B mm | C mm | D mm | Weight Kg/set |
|------------------|--------------|-------------|------|------|------|------|---------------|
| 0.5              | 15           | 75          | 8    | 33   | 26   | 23   | 0.04          |
| 0.75             | 20           | 240         | 10   | 40   | 42   | 42   | 0.1           |
| 1                | 25           | 240         | 10   | 48   | 46   | 42   | 0.15          |
| 1.25             | 32           | 240         | 10   | 56   | 53   | 52   | 0.12          |
| 1.5              | 40           | 240         | 10   | 62   | 55   | 52   | 0.13          |
| 2                | 50           | 350         | 12   | 76   | 64   | 53   | 0.22          |
| 2.5              | 65           | 350         | 12   | 94   | 73   | 53   | 0.26          |
| 3                | 80           | 350         | 12   | 106  | 78   | 53   | 0.29          |
| 4                | 100          | 630         | 16   | 136  | 93   | 56   | 0.64          |
| 5                | 125          | 630         | 16   | 164  | 99   | 58   | 0.73          |
| 6                | 150          | 630         | 16   | 192  | 112  | 60   | 0.83          |
| 8                | 200          | 980         | 20   | 248  | 148  | 68   | 1.69          |
| 10               | 250          | 980         | 20   | 302  | 170  | 69   | 2             |
| 12               | 300          | 980         | 20   | 352  | 198  | 70   | 2.34          |
| 14               | 350          | 1410        | 24   | 402  | 224  | 71   | 3.8           |
| 16               | 400          | 1410        | 24   | 452  | 251  | 72   | 4.28          |
| 20               | 500          | 1410        | 24   | 554  | 299  | 73   | 5.2           |

Specifications subject to change without notice. Contact us for updated specifications.

◇swathiengineers.nsk@gmail.com ◇ www.swathiengineers.com ◇91-721 828 4687